

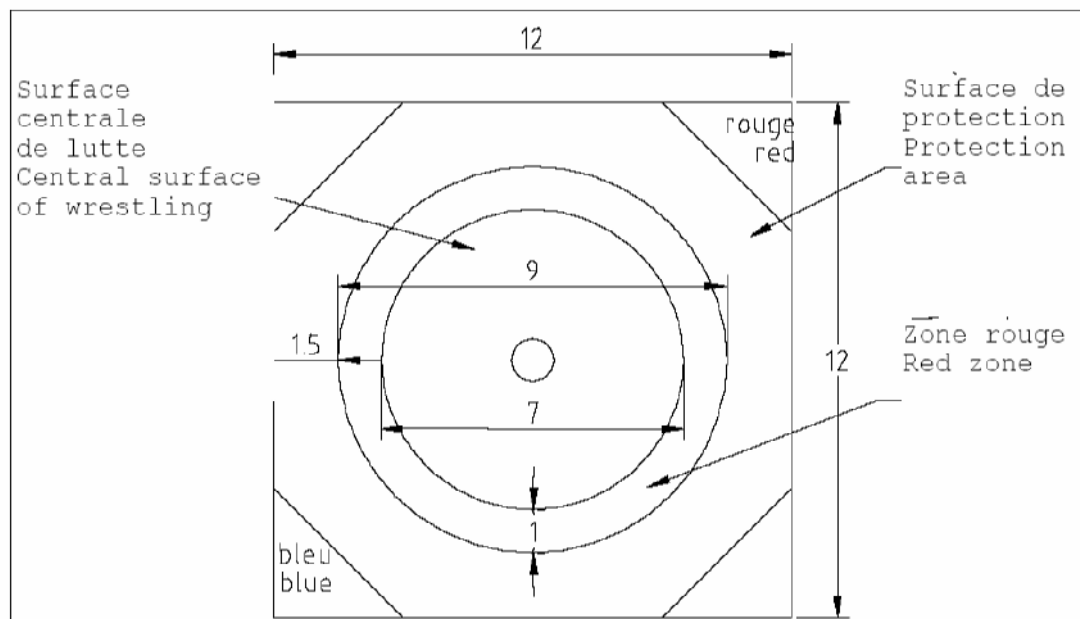
Article 9 The mat

A FILA approved mat, with a nine metre diameter and surrounded by a 1.50m border of the same thickness, is obligatory in the following contests: Olympic Games, Championships, Cups and all international competitions.

For the Olympic Games and World Championships, warm up and training mats must also be approved by FILA and be of the same quality as the competition mats.

A red band of one metre wide and forming an integral part of the wrestling area is drawn along the circumference on the inside of the circle of nine metres in diameter.

The following terms will be used to designate the various parts of the mat:



To prevent contamination, the mat must be washed and disinfected before every wrestling session to avoid contamination. When mats that have a smooth, uniform and non-abrasive surface are used (canvas included), the same hygienic measures must also be applied.

A circle must be traced in the middle of the mat with an inside diameter of one metre and a surrounding band 100 cm wide. The colour of the line just described and that of the line marking off the wrestling area must be red.

The diagonally opposite corners of the mat are marked out in the wrestlers' colours ie: red and blue.

The mat should be installed so that it is surrounded by a wide open space in order to ensure that the competition proceeds normally.